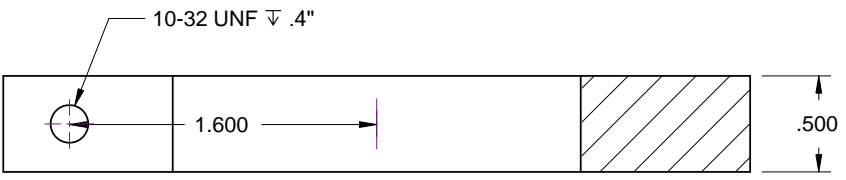


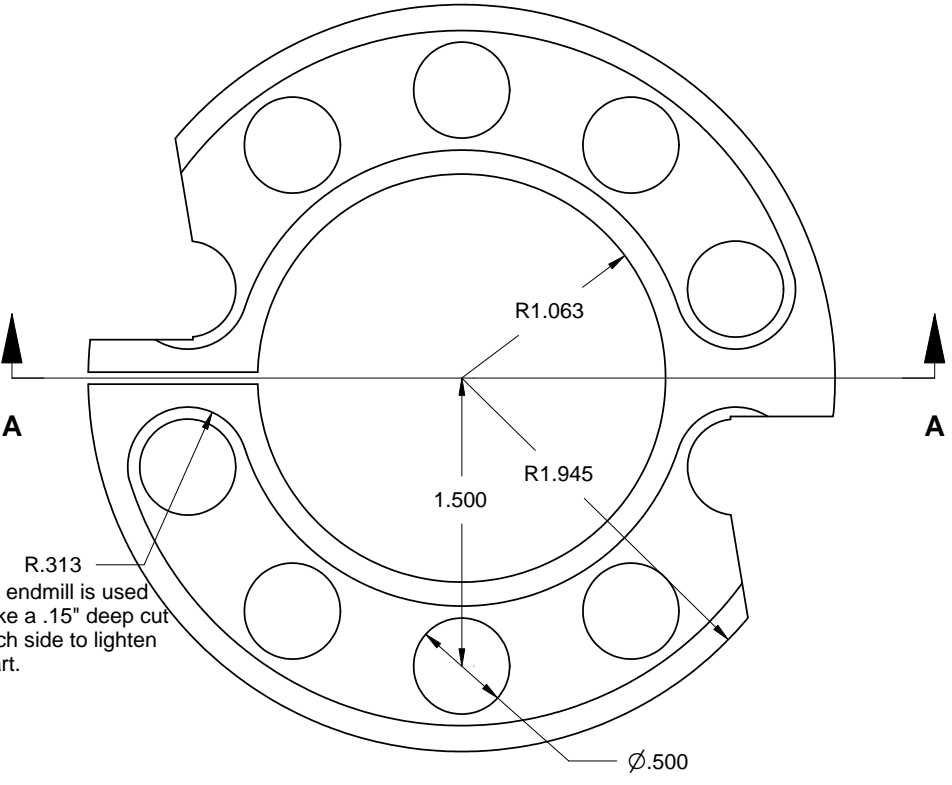


REVISIONS				
ZONE	REV	DESCRIPTION	DATE	APPROVED

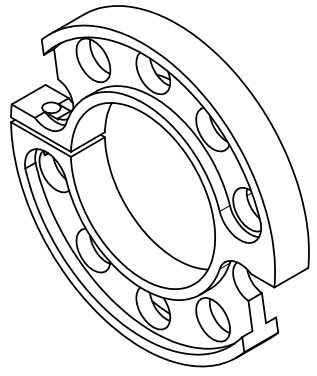
# 54 mm Adapter Front Centering Ring



Section A-A



R.313  
A 5/8" endmill is used to make a .15" deep cut on each side to lighten the part.



SIZE <b>A</b>	FSCM NO.	DWG NO.	REV
SCALE	B. Feretich		SHEET