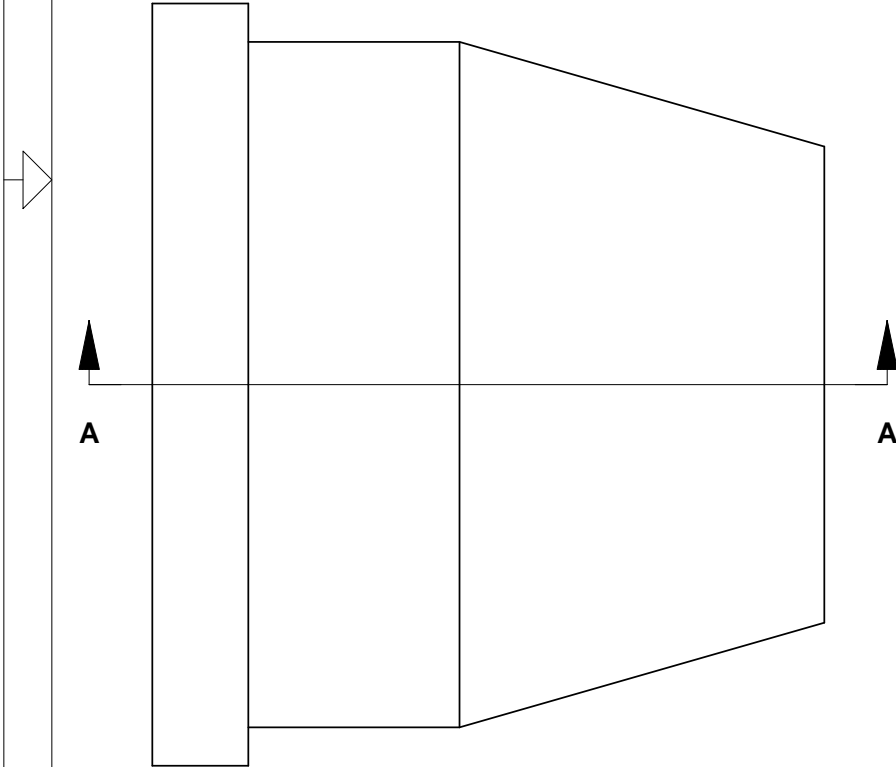
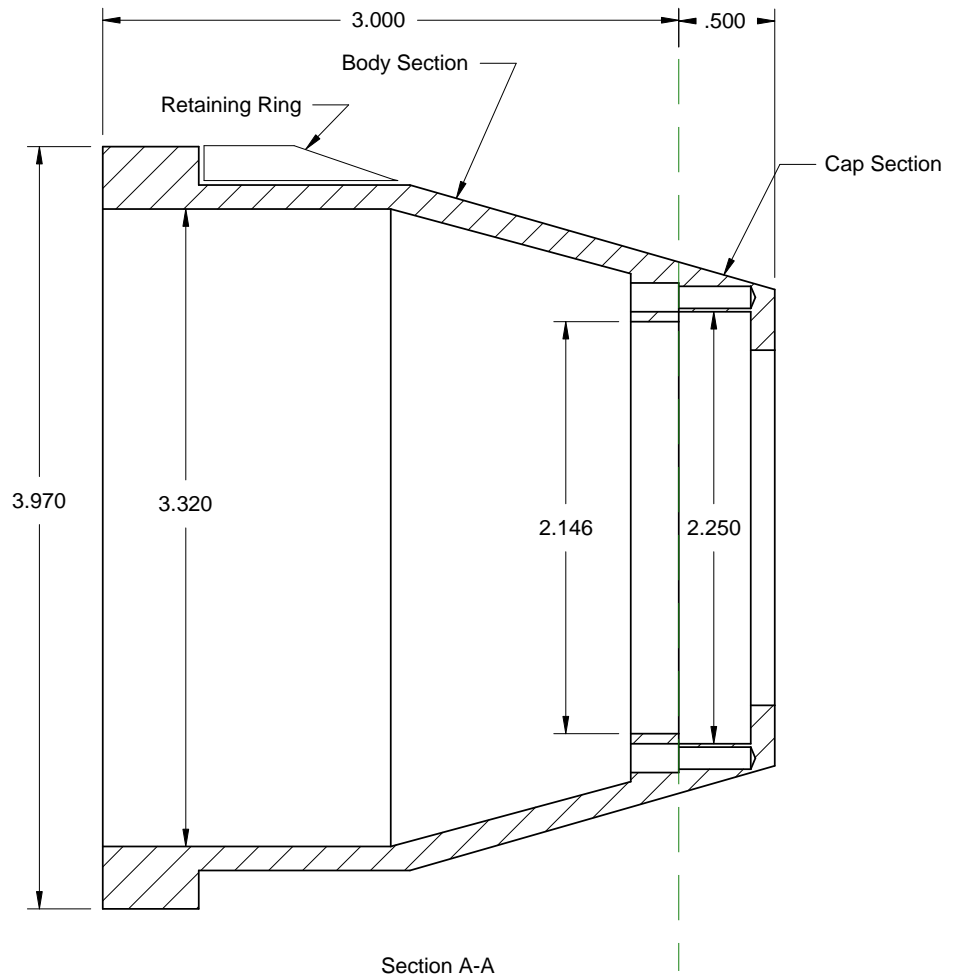
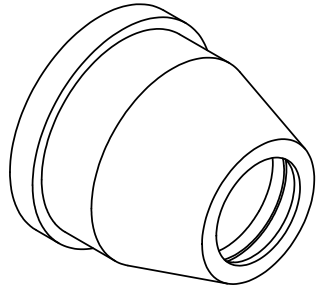




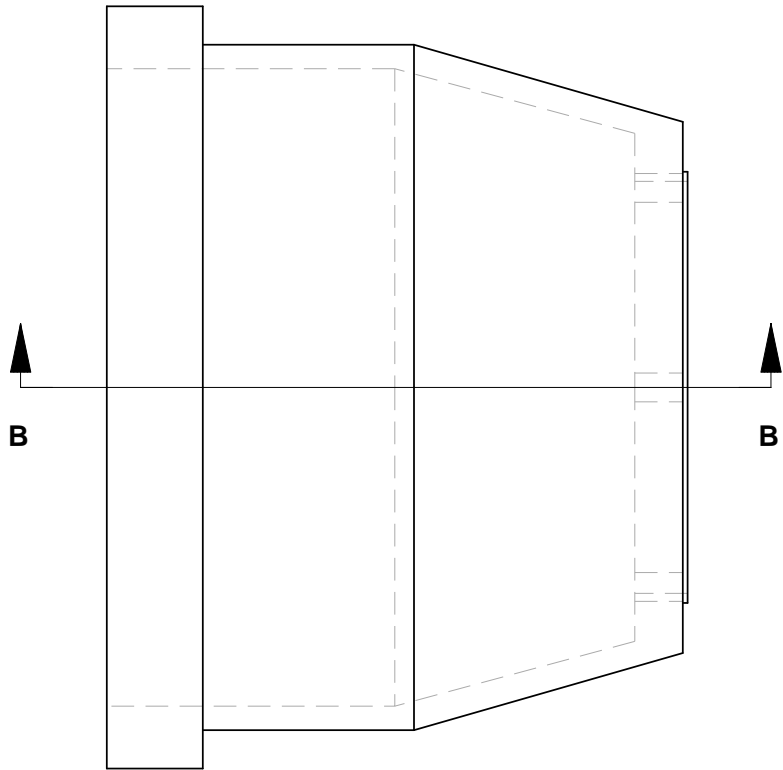
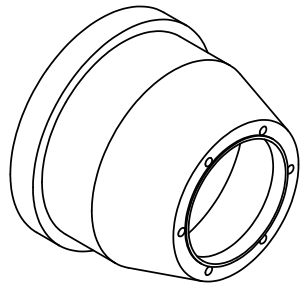
REVISIONS

ZONE	REV	DESCRIPTION	DATE	APPROVED
------	-----	-------------	------	----------

54 mm Boattail Adapter

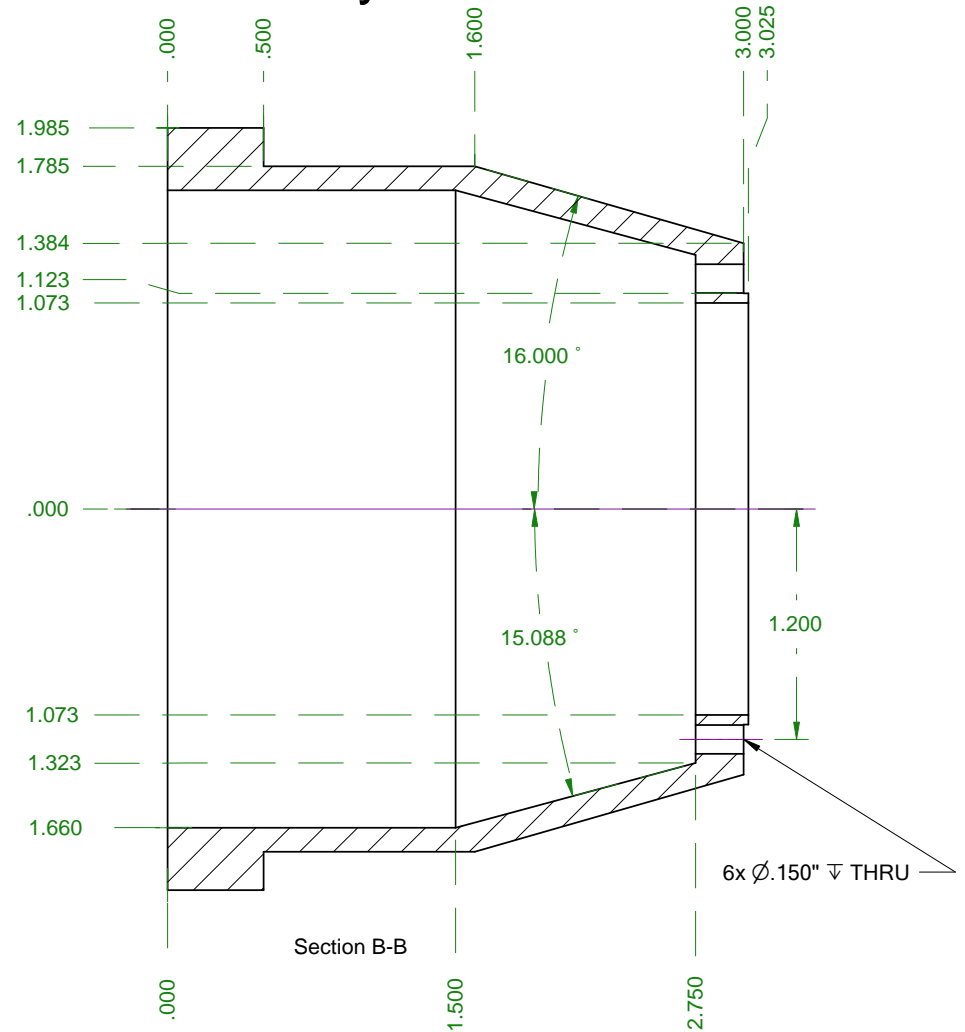


SIZE A	FSCM NO.	DWG NO.	REV
SCALE	B. Feretich		SHEET



REVISIONS				
ZONE	REV	DESCRIPTION	DATE	APPROVED

54 mm Boattail Adapter Body Section



SIZE A	FSCM NO.	DWG NO.	REV
SCALE	B. Feretich		SHEET