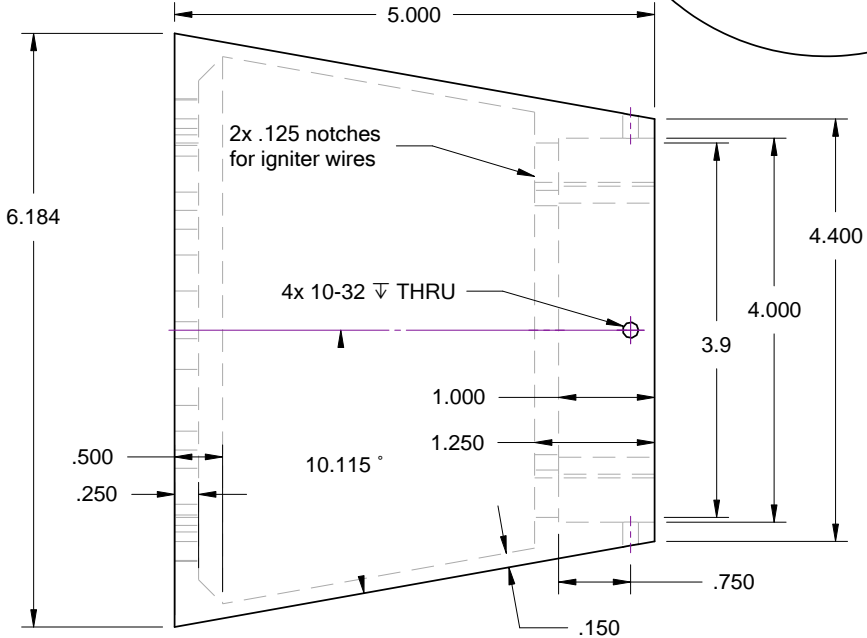
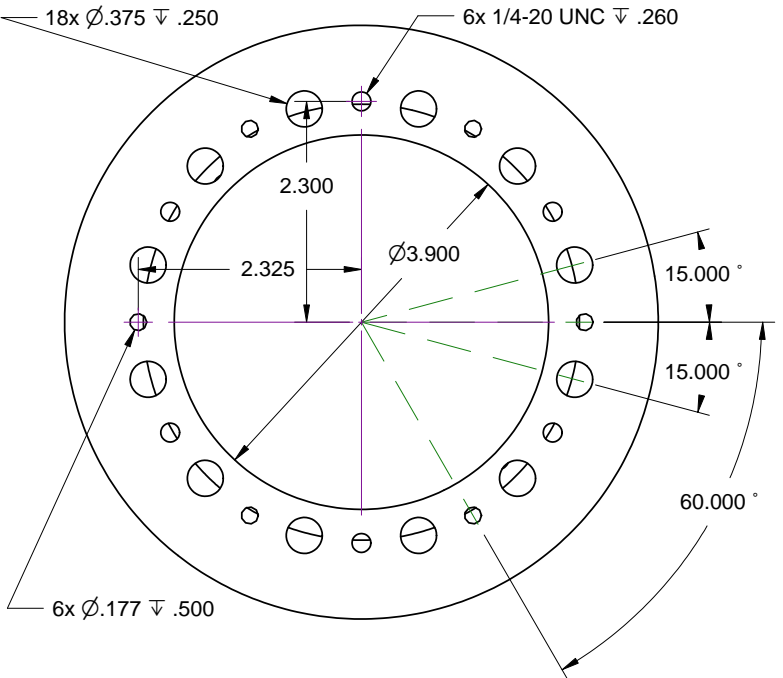
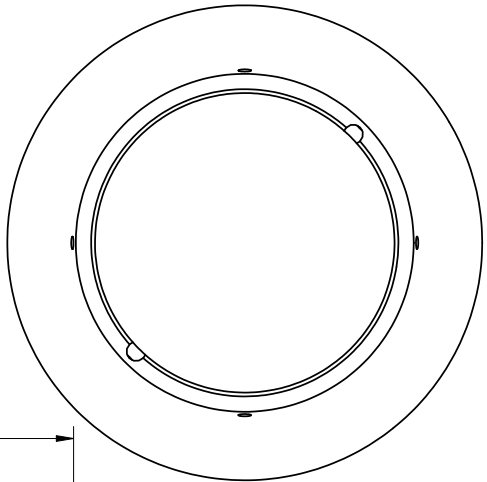
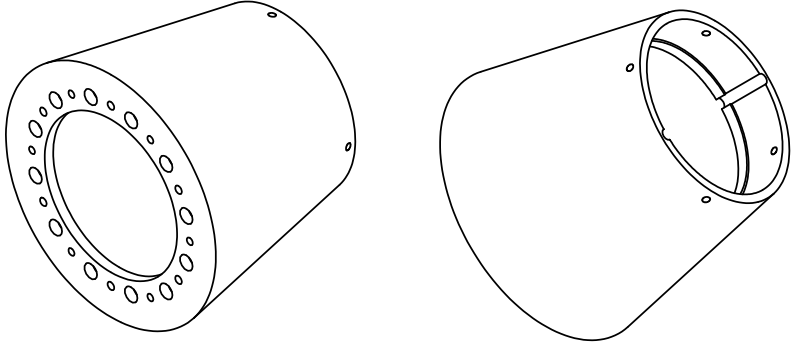




REVISIONS				
ZONE	REV	DESCRIPTION	DATE	APPROVED

Sustainer Boattail Interstage Coupler



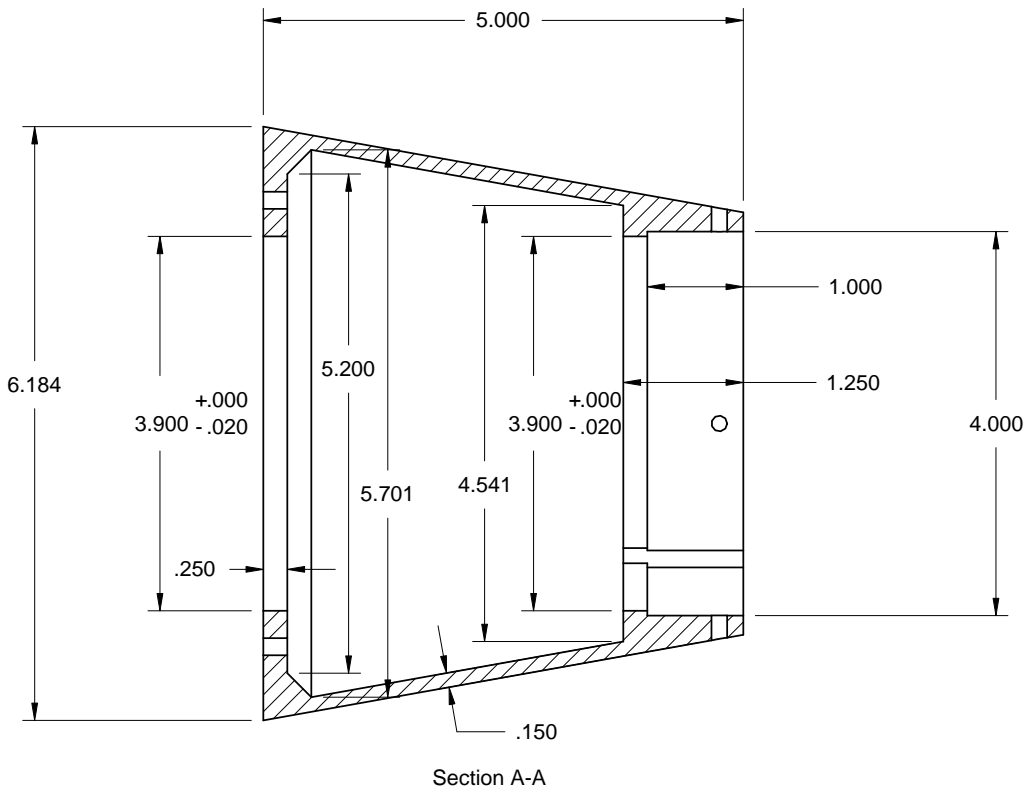
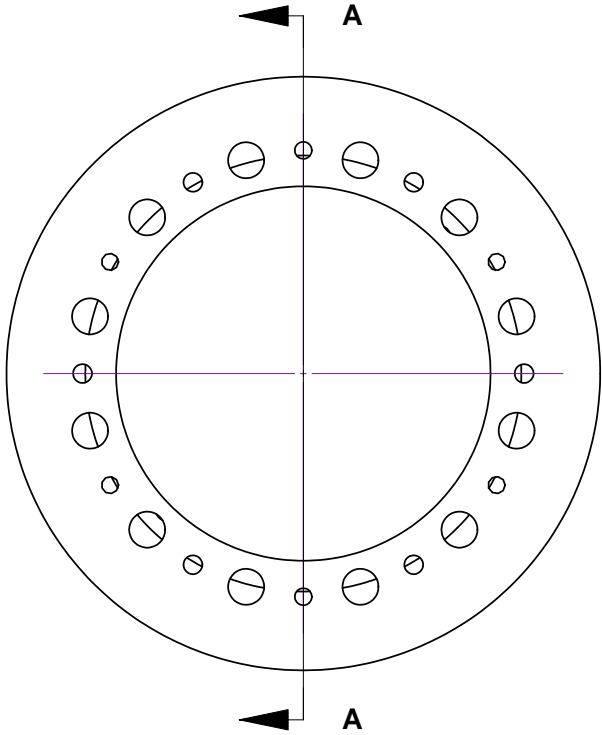
SIZE A	FSCM NO.	DWG NO.	REV
SCALE		B. Feretich & G. Saviers	SHEET
		Mass = 832 grams CG = 2.18" from top	





REVISIONS				
ZONE	REV	DESCRIPTION	DATE	APPROVED

Interstage Coupler Taper Cross-section



SIZE A	FSCM NO.	DWG NO.	REV
SCALE	B. Feretich & G. Saviers		SHEET

