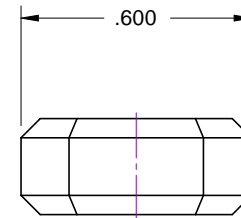
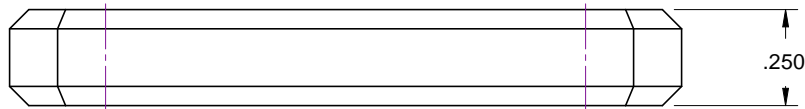
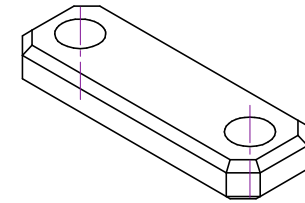
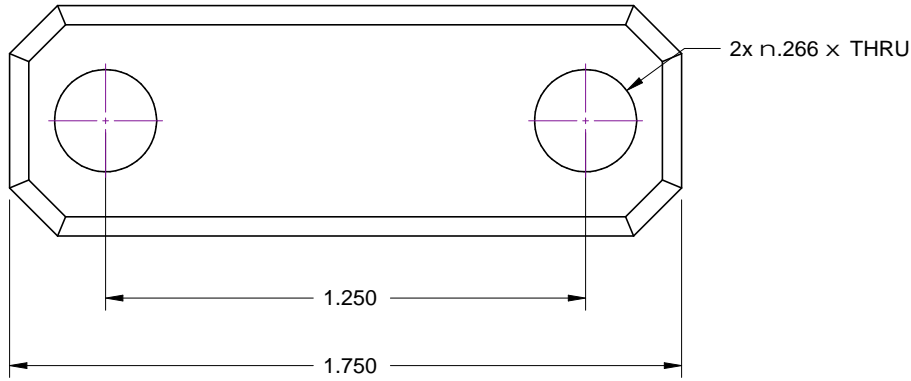




REVISIONS

ZONE	REV	DESCRIPTION	DATE	APPROVED
------	-----	-------------	------	----------

# Shackle Top



SIZE <b>A</b>	FSCM NO.	DWG NO.	REV
SCALE		B. Feretich & G. Saviers	SHEET

