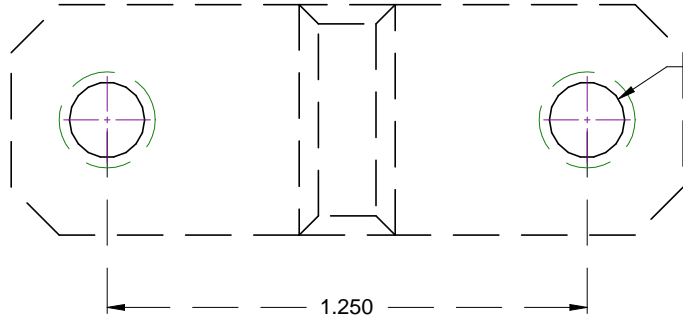




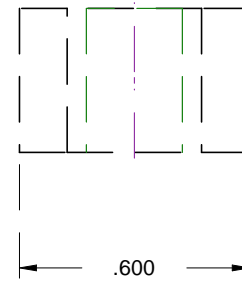
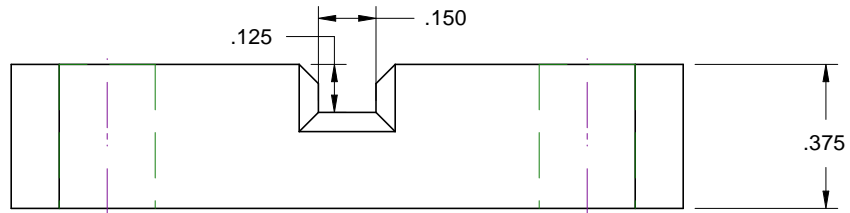
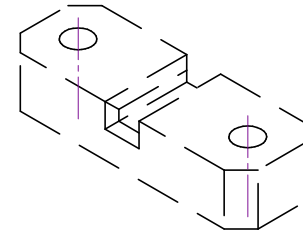
REVISIONS

ZONE	REV	DESCRIPTION	DATE	APPROVED
------	-----	-------------	------	----------

Shackle Base



2x 1/4-20 UNC x THRU



SIZE A	FSCM NO.	DWG NO.	REV
SCALE	B. Feretich & G. Saviers		SHEET