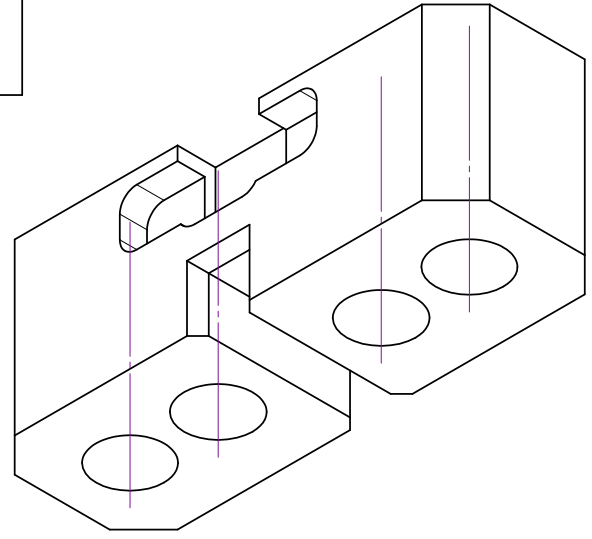
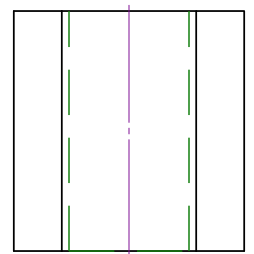
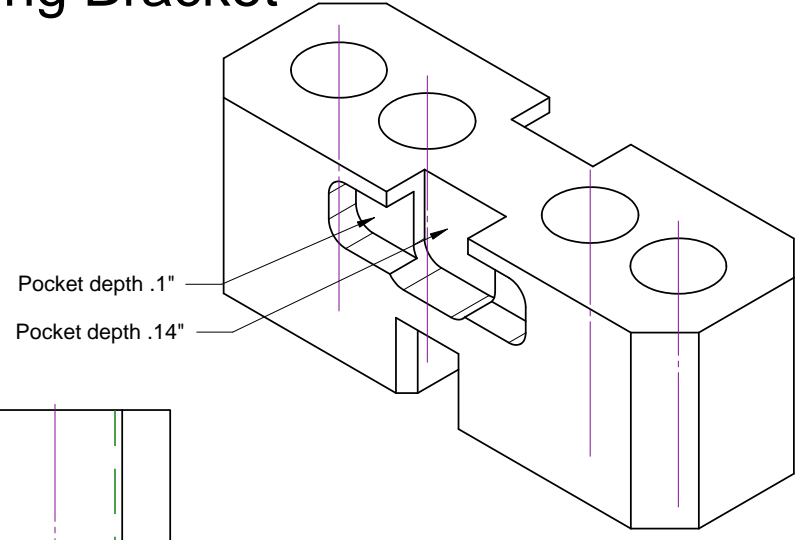


REVISIONS				
ZONE	REV	DESCRIPTION	DATE	APPROVED

Mounting Bracket



SIZE A	FSCM NO.	DWG NO.	REV
SCALE	B. Feretich & G. Saviers		SHEET

