



REVISIONS

ZONE

REV

DESCRIPTION

DATE

APPROVED

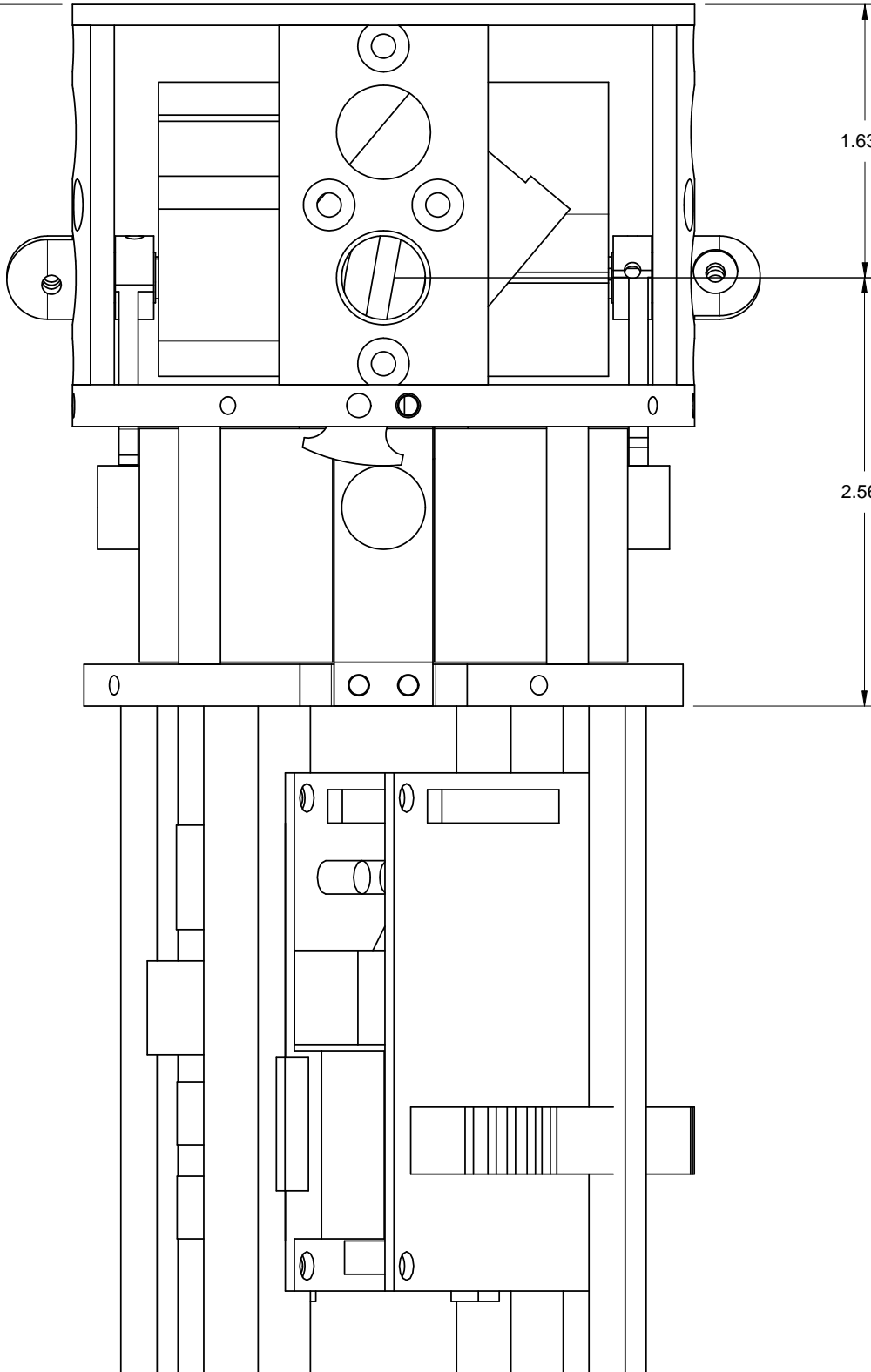
# Attitude Stability System Assembly

3.720

1.635

2.563

8.198



SIZE

**A**

FSCM NO.

DWG NO.

REV

SCALE

B. Feretich

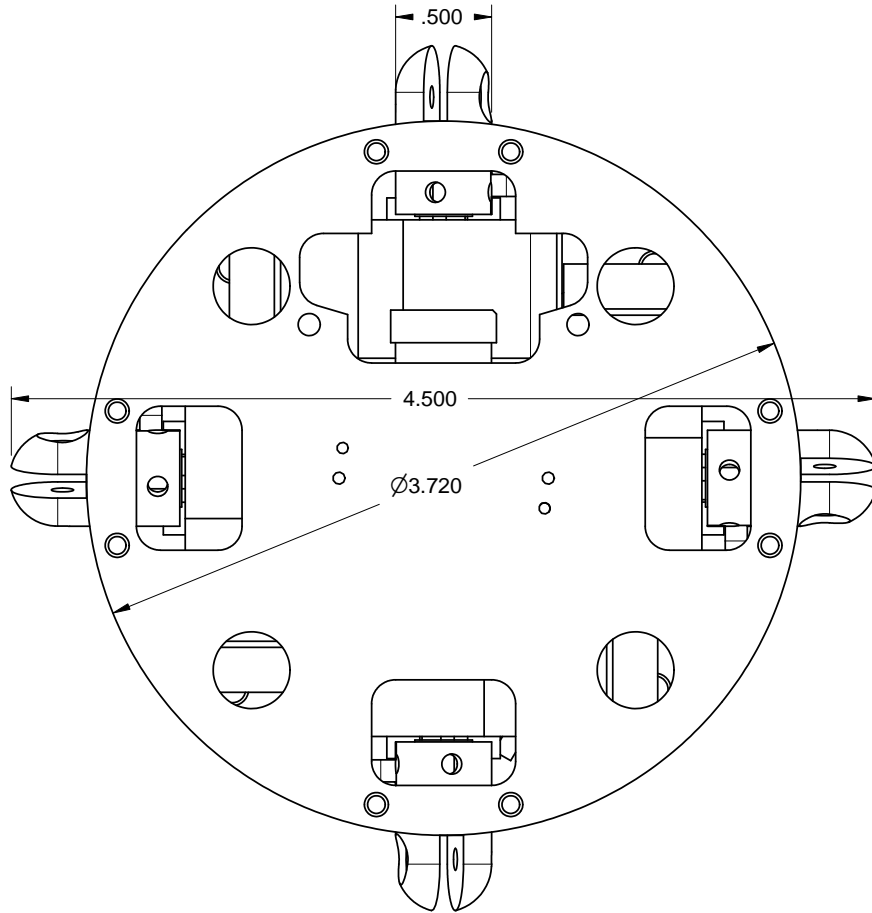
SHEET





REVISIONS

ZONE	REV	DESCRIPTION	DATE	APPROVED



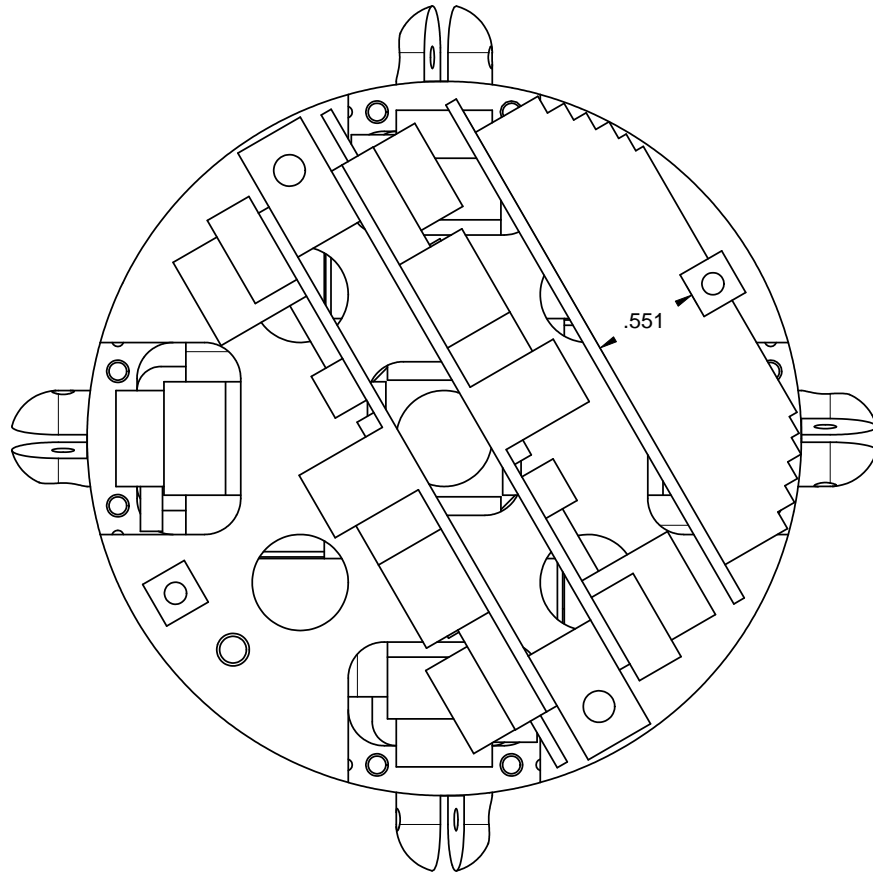
SIZE <b>A</b>	FSCM NO.	DWG NO.	REV
SCALE		SHEET	





REVISIONS

ZONE	REV	DESCRIPTION	DATE	APPROVED



SIZE <b>A</b>	FSCM NO.	DWG NO.	REV
SCALE		SHEET	

